

MMFTRF Suction and Return Filter



Technical specification

Application:	Suction and return filter
Port size:	G 1" and G 1¼"
Flow rate:	max. 300 l/min
Working pressure:	max. 10 bar
By-pass opening pressure:	Δp 3.5 bar \pm 10%
Material:	Aluminium
Compatibility:	Water-glycol & hydraulic oil

Tested according to ISO standards:

ISO2941 Collapse/burst resistance
ISO2942 Fabrication integrity
ISO2943 Material compatibility integrity ISO3723
Method for end load test
ISO3724 Flow fatigue characteristics
ISO3968 Pressure drop vs. Flow
ISO16889 Multi-pass (filtration performance)

Technical specification subject to change without prior notice. Other specification on request. 2013/07/23

FILTER SELECTOR

Select your filter requirements here.

Filter element
MMETRF

MMFTRF – HO 200 20 1 II M

Suction and Return Filter

WG: Water Glycol
HO: Hydraulic Oil

Flow rate (100, 200 or 300 l/min)

Filtration rating (3, 6, 12 or 20µ)

0: without indicator
1: with ZKF-II indicator ≤ DC24V
2: with ZS-I indicator ≤ 220V

0: without indicator I:
with CYB-I indicator ≤ DC24V
II: with CY-II indicator ≤ 220V

0: without magnets
M: with magnets

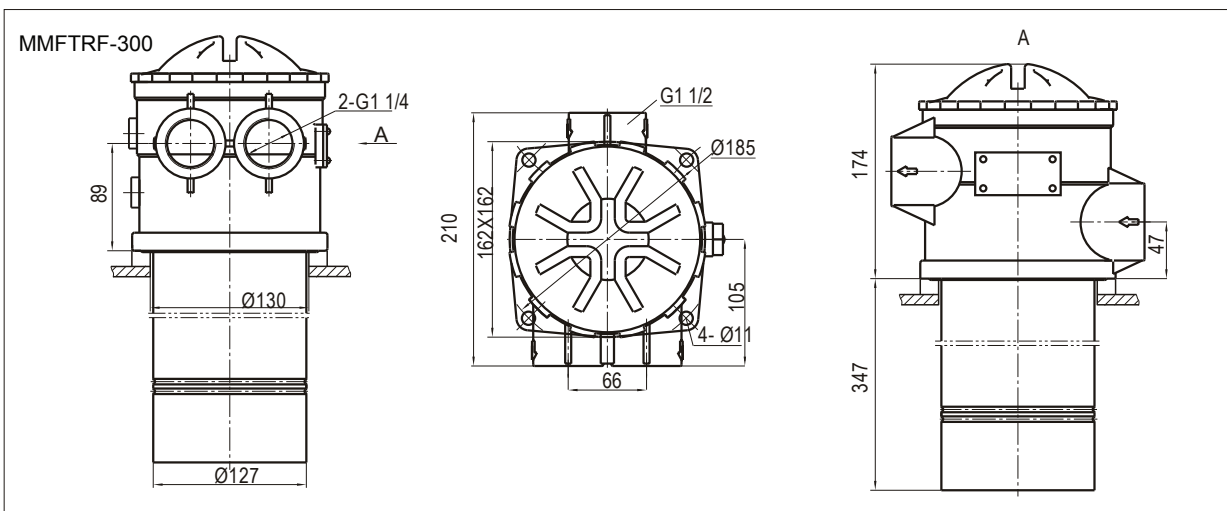
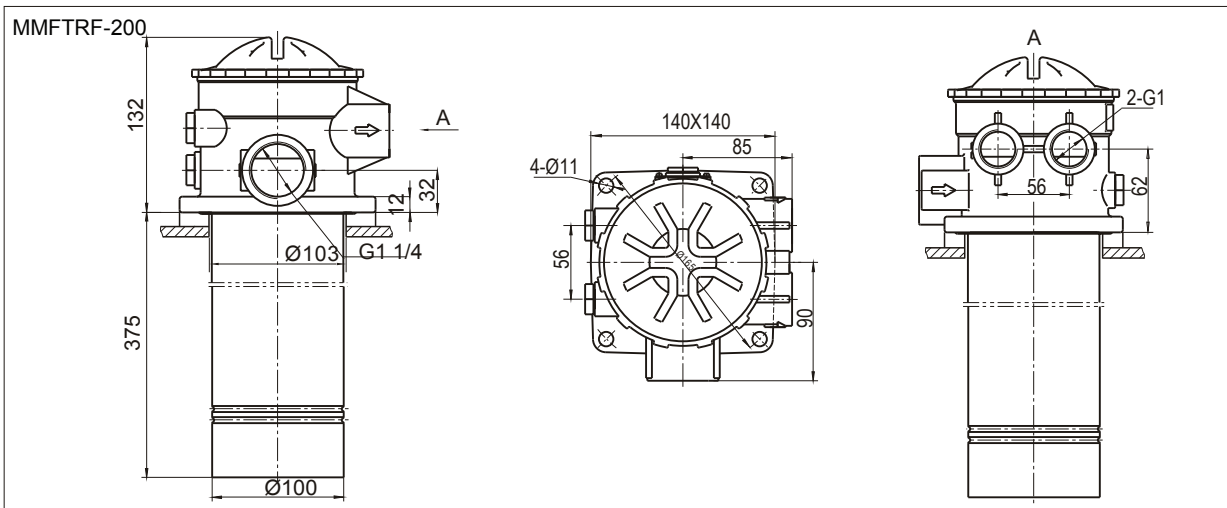
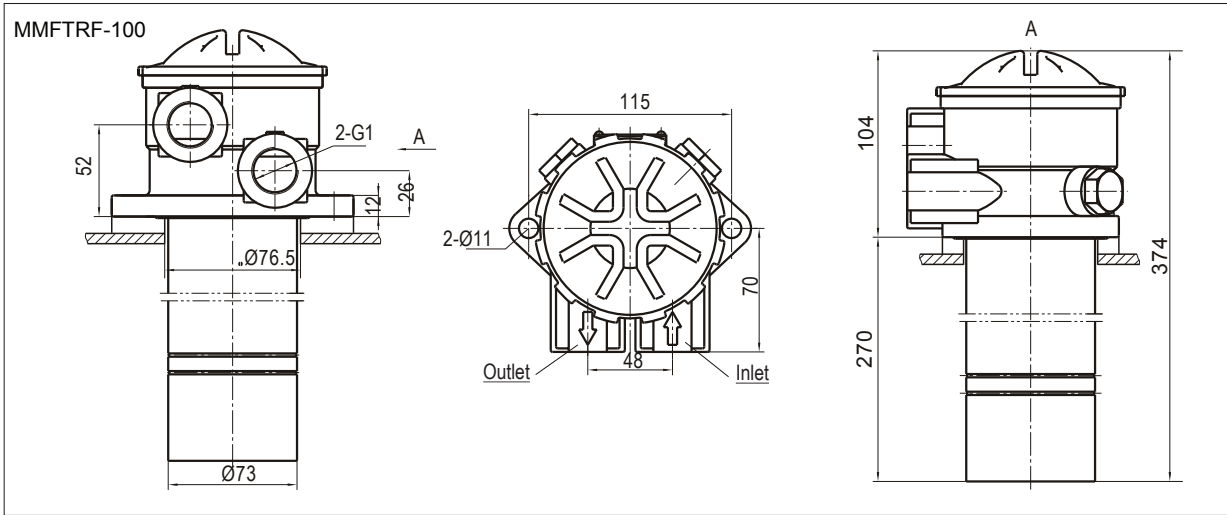
Unsure? Contact us.

Technical data

Model	Flow rate (l/min)	Pressure options (Bar)	Filtration rating (µ m)	Indicator power Volts	Amps	By-pass valve setting (Bar)	Safety valve setting (Bar)	Max. retrieve flow rate (l/min)	Element No:
MMFTRF-	100	10	3	12	2.5	3.5	0.5	6	MMETRF100-X* µ
	200		6	24	2			10	MMETRF200-X* µ
	300		12	36	1.5			16	MMETRF300-X* µ
			20	220	0.25				

* X= micron

Dimensional drawings



Technical specification subject to change without prior notice. Other specification on request. 2013.07/23

