

## MMFTSF Suction and Return Series



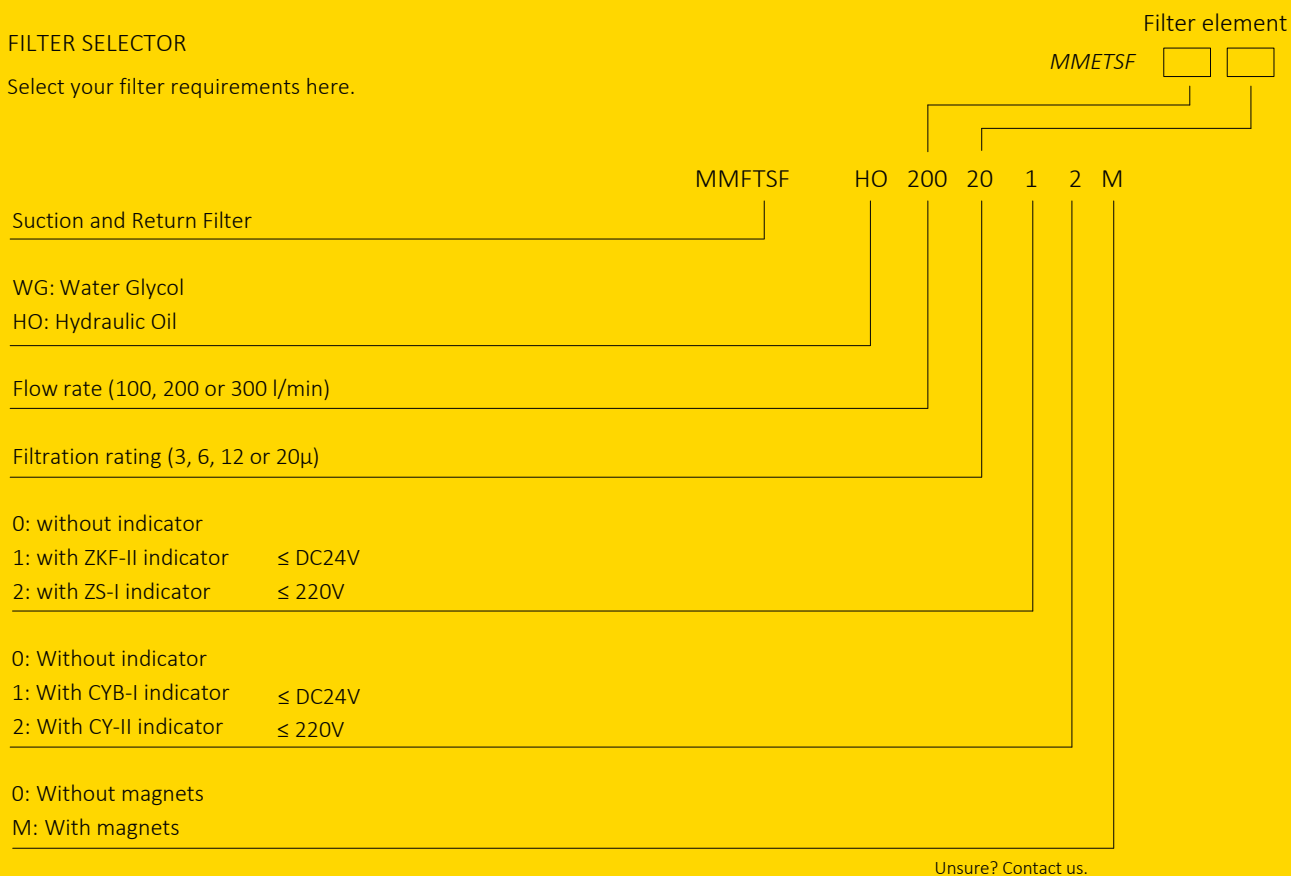
### Technical specification

Application:	Dual suction & return
Port size:	G 1" and G 1¼"
Flow rate:	max. 300 l/min
By-pass opening pressure:	$\Delta p$ 3.5 Bar
Temperature range:	-10 °C to 100 °C
Material:	Cast aluminium head & aluminium body
Compatibility:	Suitable for mineral oils, lubrication oils, non-flam fluids, synthetic and rapidly biodegradable oils according to ISO2943 (for use with water, please contact our technical dept.)
Tested according to ISO standards:	<ul style="list-style-type: none"> <li>ISO2941 Collapse/burst resistance</li> <li>ISO2942 Fabrication integrity</li> <li>ISO2943 Material compatibility integrity</li> <li>ISO3723 Method for end load test</li> <li>ISO3724 Flow fatigue characteristics</li> <li>ISO3968 Pressure drop vs. Flow</li> <li>ISO16889 Multi-pass (filtration performance)</li> </ul>

Technical specification subject to change without prior notice. Other specification on request. 2013/07/23

**FILTER SELECTOR**

Select your filter requirements here.



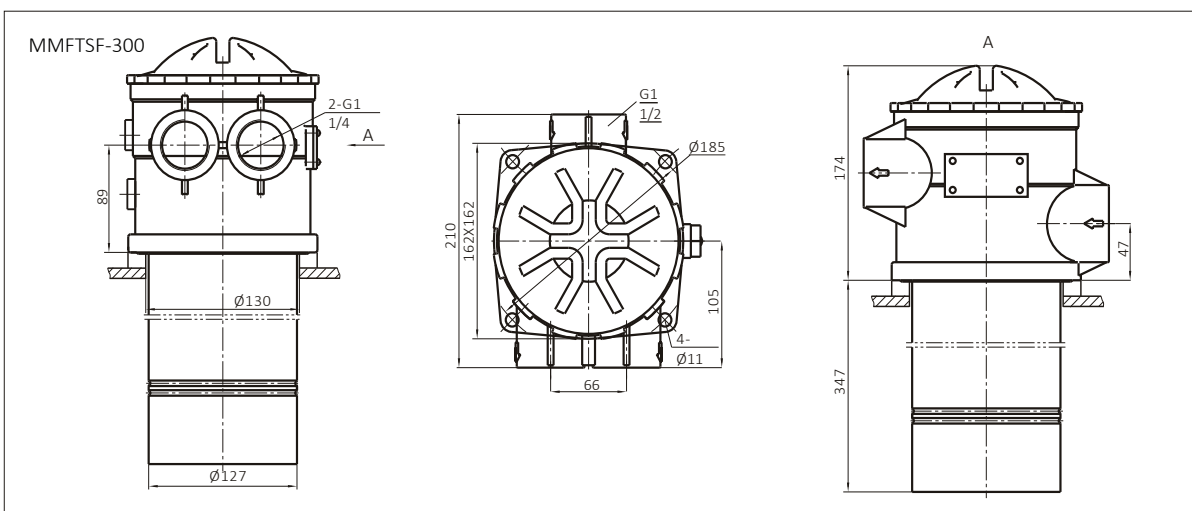
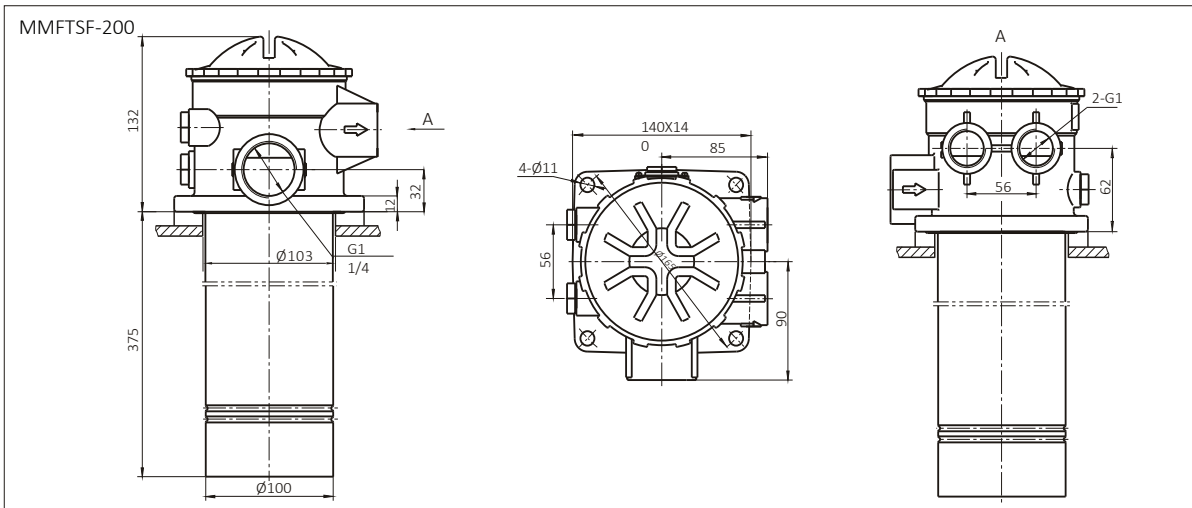
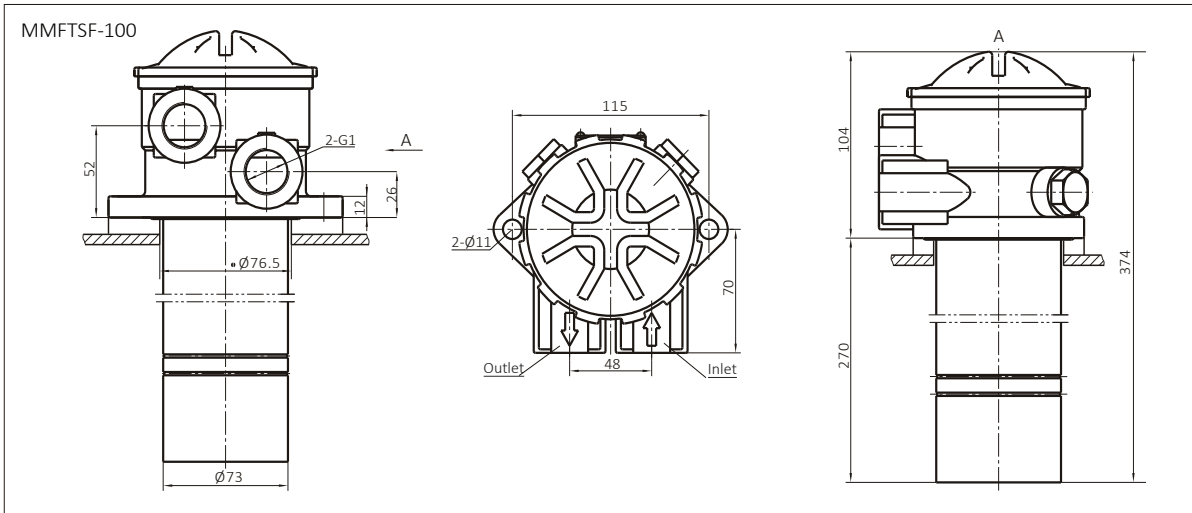
Unsure? Contact us.

**Technical data**

Model	Flow rate (l/min)	Pressure options (Bar)	Filtration rating (µ m)	Indicator Volts	power Amps	By-pass valve setting (Bar)	Safety valve setting (Bar)	Max. retrieve flow rate (l/min)	Element No:
MMFTSF - 100	100	10	3	12	2.5	3.5	0.5	6	MMFTSF-100 + µ
MMFTSF - 200	200		6	24	2			10	MMFTSF-200 + µ
MMFTSF - 300	300		12	36	1.5			16	MMFTSF-300 + µ
			20	220	0.25				

Technical specification subject to change without prior notice. Other specification on request. 2013/07/23

Mounting size



Technical specification subject to change without prior notice. Other specification on request. 2013/07/23

