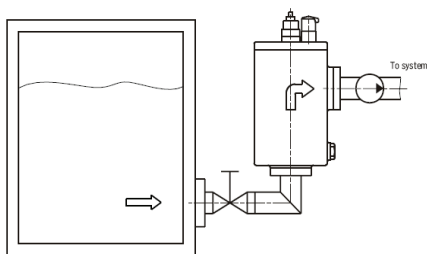


## MMFISV Suction Inline Series



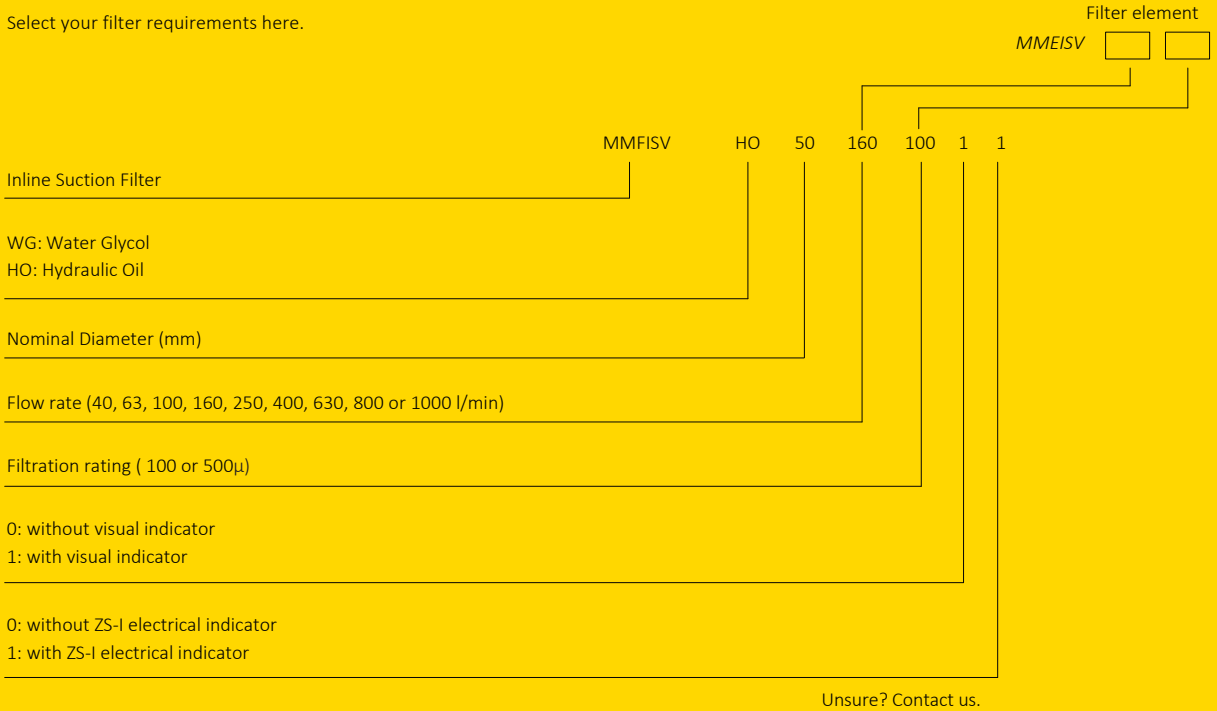
### Technical specification

Application:	Inline suction filter
Port size:	Flanged connection
Flow rate:	max. 1000 l/min
By-pass opening pressure:	$\Delta p$ 0.15 Bar
Temperature range:	-10°C to 100°C
Material:	Cast aluminium
Compatibility:	Suitable for mineral oils, lubrication oils, non-flam fluids, synthetic and rapidly biodegradable oils according to ISO2943 (for use with water, please contact our technical dept.)
Tested according to ISO standards:	ISO2941 Collapse/burst resistance ISO2942 Fabrication integrity ISO2943 Material compatibility integrity ISO3723 Method for end load test ISO3724 Flow fatigue characteristics ISO3768 Pressure drop vs. Flow

Technical specification subject to change without prior notice. Other specification on request. 2013/07/23

**FILTER SELECTOR**

Select your filter requirements here.



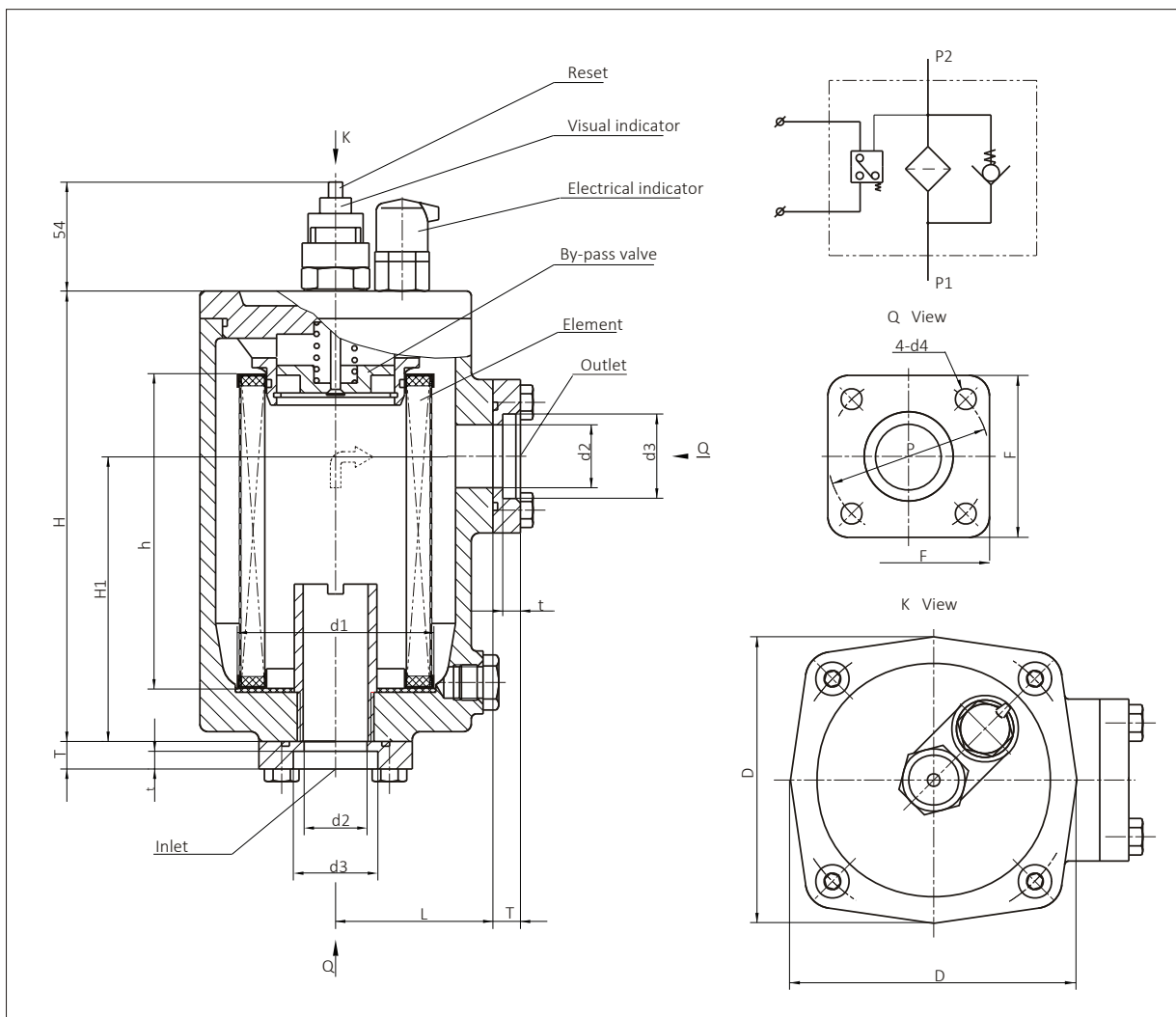
Unsure? Contact us.

**Technical data**

Model	Diameter (mm)	Flow rate (l/min)	Filtration rating (µ m)	Initial ΔP (Bar)	Indicator power		Weight (kg)	Element No:	
					Volts	Watts			
MMFISV	20	40	100	≤ 0.1	12	2.5	5	MMEISV-0040 + µ	
MMFISV	25	63						MMEISV-0063 + µ	
MMFISV	32	100					MMEISV-0100 + µ		
MMFISV	40	160			500	24	2	6	MMEISV-0160 + µ
MMFISV	50	250							MMEISV-0250 + µ
MMFISV	65	400						11	MMEISV-0400 + µ
MMFISV	80	630							MMEISV-0630 + µ
MMFISV	90	800	20	220	0.25	MMEISV-0800 + µ			
MMFISV	100	1000				MMEISV-1000 + µ			

Technical specification subject to change without prior notice. Other specification on request. 2013/07/23

Mounting size



Technical specification subject to change without prior notice. Other specification on request. 2013/07/23

Model	Size (mm)													
	H	H1	L	h	d1	d2	d3	d4	P	F	D	T	t	
MMFISV-0040 + μ	167	100	67	110	∅85	∅20	∅27.5	∅9	70	68	112	12	8	
MMFISV-0063 + μ	167	100	67	110	∅85	∅25	∅34.5	∅9	70	68	112	12	8	
MMFISV-0100 + μ	229	145	80	160	∅100	∅32	∅43.0	∅11	78	78	138	14	9	
MMFISV-0160 + μ	229	145	80	160	∅100	∅40	∅49.0	∅11	78	78	138	14	9	
MMFISV-0250 + μ	259	170	90	180	∅120	∅50	∅61.0	∅14	102	96	156	14	9	
MMFISV-0400 + μ	284	170	105	200	∅140	∅65	∅77.0	∅14	130	122	180	20	14	
MMFISV-0630 + μ	284	170	105	200	∅140	∅80	∅90.0	∅14	130	122	180	20	14	
MMFISV-0800 + μ	352	240	135	260	∅180	∅90	∅103.0	∅18	166	156	230	22	15	
MMFISV-1000 + μ	352	240	135	260	∅180	∅100	∅115.0	∅18	166	156	230	22	15	

Notes

---

---

---

---

---

---

---

---

---

---

---

---

---

---

---

---

---

---

---

---

---

---

---

---

---

---

Technical specification subject to change without prior notice. Other specification on request. 2013/07/23