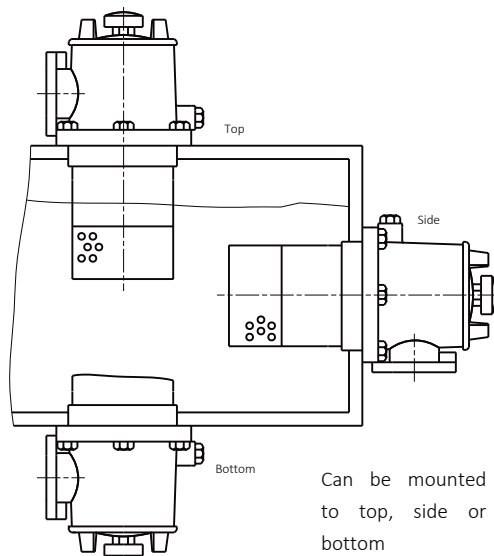


MMFRFB Return Line Series



Technical specification

Application:	Manifold mounting high pressure filter
Port size:	BSP + Flanged
Flow rate:	max. 1300 l/min
Working pressure:	max. 16 bar
Burst pressure:	min. 48 bar
Element collapse pressure:	10 bar
By-pass opening pressure:	Δp 4 bar + 10%
Clogging indicator setting:	Δp 3 bar \pm 10%
Seals:	Perbunan (NBR, -10°C to 100°C)
Material:	Aluminium head & bowl
Compatibility:	Suitable for mineral oils, lubrication oils, non-flam fluids, synthetic and rapidly biodegradable oils (for use with water, please contact our technical dept.)
Tested according to ISO standards:	ISO2941 Collapse/burst resistance ISO2942 Fabrication integrity ISO2943 Material compatibility integrity ISO3723 Method for end load test ISO3724 Flow fatigue characteristics ISO3968 Pressure drop vs. Flow ISO16889 Multi-pass (filtration performance)

Technical specification subject to change without prior notice. Other specification on request 013/07/23

FILTER SELECTOR

Select your filter requirements here.

Filter element
MMERFB

MMFRFB HO 160 20 1 2

Magnetic return filter _____

BH: Water Glycol
HO: Hydraulic Oil _____

Flow rate (25, 40, 63, 100, 160, 250, 400, 630, 800, 1000 or 1300 l/min) _____

Filtration rating (3, 6, 10, 20 or 30 μ) _____

0: Without connecting tube
Size Y of connecting tube as requested _____

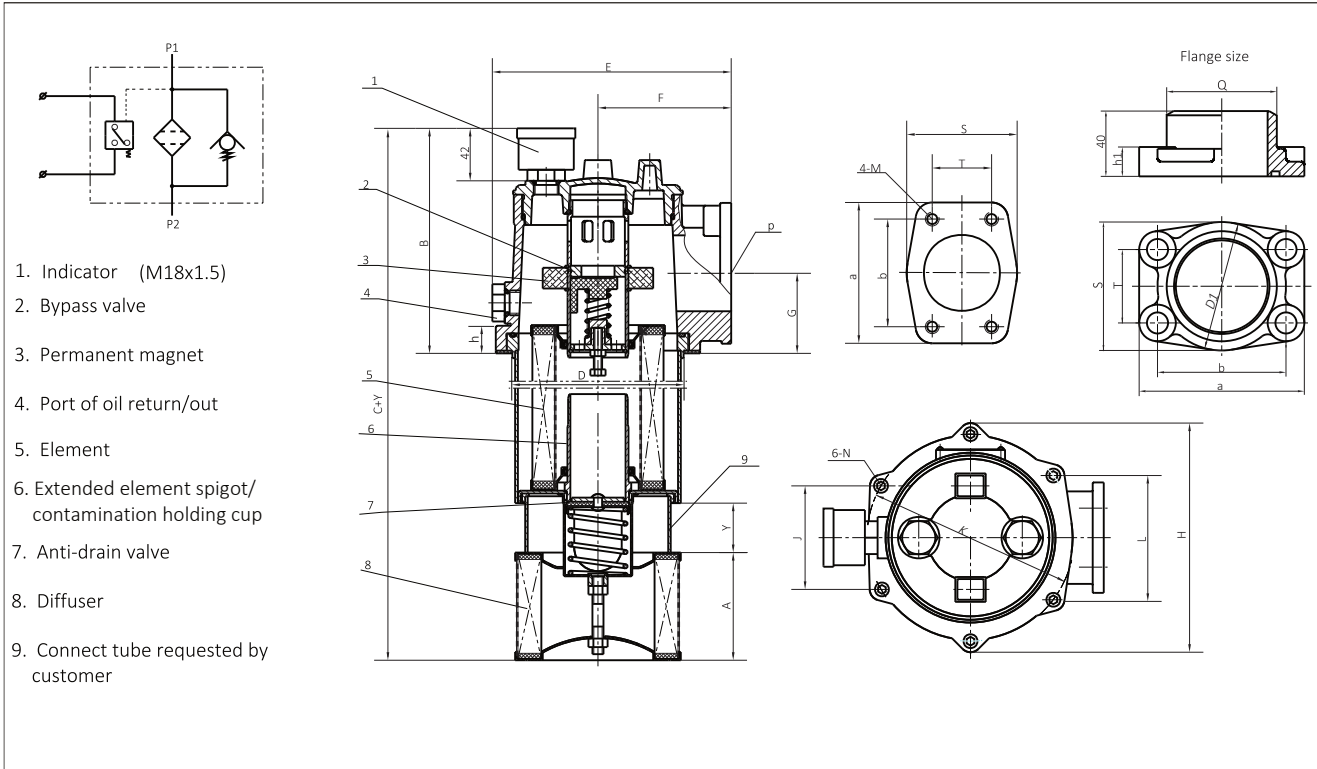
0: Without indicator
1: With CYB-I indicator ≤ DC24V
2: With CY-II indicator ≤ 220V _____

Unsure? Contact us.

Model	Flow rate (L/min)	Filtration rating (μm)	(Bar)	Initial Δ(MPa)	Max. Δ (MPa)	Indicator P Volts Amps	Weight (Kg)
MMERFB - 25	25	3	1.6	< 0.075	0.35	24V/48W	4.6
MMERFB - 40	40						4.8
MMERFB - 63	63	5.3					
MMERFB - 100	100	6					
MMERFB - 160	160	6.7					
MMERFB - 250	250	10				220V/50W	12.3
MMERFB - 400	400						14.7
MMERFB - 630	630	17.3					
MMERFB - 800	800	18.6					
MMERFB - 1000	1000	30					21.3
MMERFB - 1300	1300						

Technical specification subject to change without prior notice. Other specification on request. 2013/07

Mounting size



Model	A	B	C	D	E	F	G	H	J	K	L	N	P	M	a	b	S	T	Q	h
MMFRFB-25	78	167	348	φ 124	175	96.5	58	168	75	φ 150	90	φ 7	φ 55	M10	102	78	80	43	60	20
MMFRFB-40			374																	
MMFRFB-63			411																	
MMFRFB-100			473																	
MMFRFB-160			548																	
MMFRFB-250	120	210	558	φ 186	250	132	74	245	112	φ 225	132	φ 9	φ 80	M12	140	106	110	62	90	22
MMFRFB-400			708																	
MMFRFB-630			877																	
MMFRFB-800			948																	
MMFRFB-1000			1114																	
MMFRFB-1300			1454																	

Technical specification subject to change without prior notice. Other specification on request 013/07/23

