

MMFWF Suction Series



Technical specification

Application:	Suction strainers for in-tank mounting
Port size:	G $\frac{3}{8}$ " to G3"
Flow rate:	max. 550 l/min
Material:	Glass filled nylon end caps, ST/ST mesh
Compatibility:	Suitable for mineral oils, lubrication oils, non-flam fluids, synthetic and rapidly biodegradable oils according to ISO2943 (for use with water, please contact our technical dept.)
Tested according to ISO standards:	ISO2942 Fabrication integrity ISO2943 Material compatibility integrity ISO3723 Method for end load test ISO 3968 Pressure drop vs. Flow

Technical specification subject to change without prior notice. Other specification on request. 2013/07/23

FILTER SELECTOR

Select your filter requirements here.

Filter element
MMEWF

MMFWF – 100 70 T HO 2

Wire mesh filter

Micron rating (80, 100 or 180 μ)

Outside diameter series (\varnothing 50, \varnothing 70, \varnothing 99 or \varnothing 130)

Threaded series

HO: Hydraulic Oil

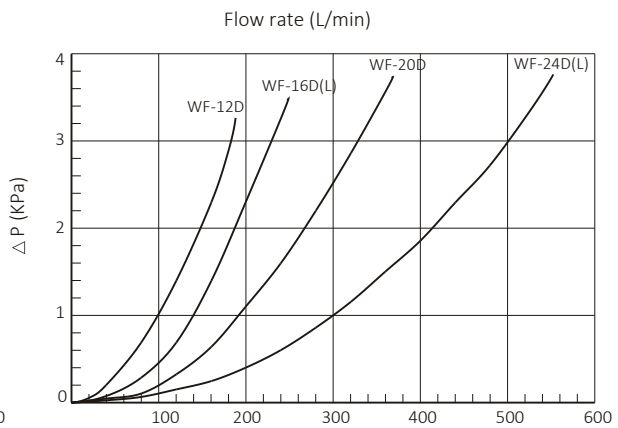
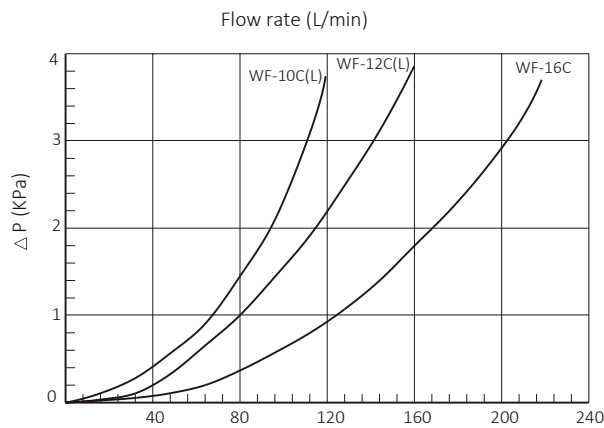
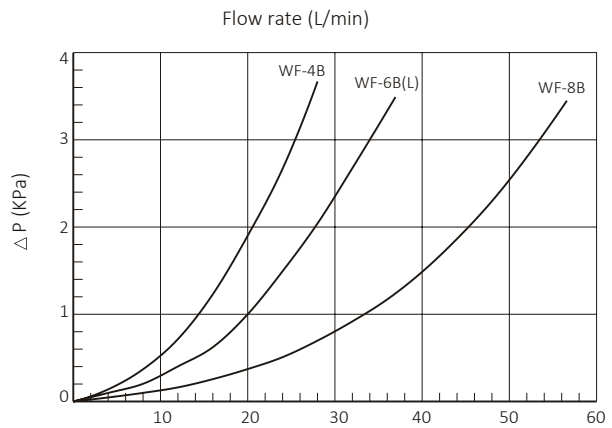
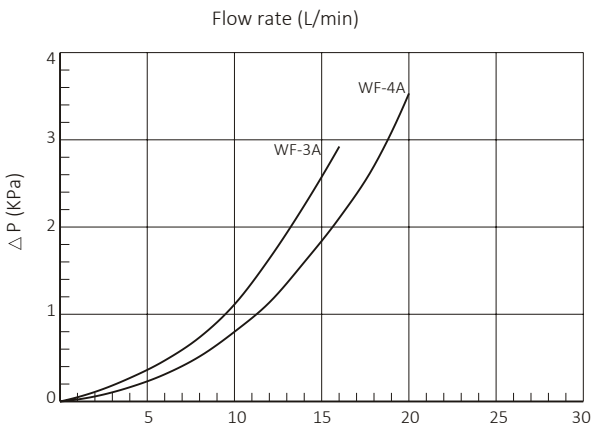
BH: Water-glycol

1: Without magnet

2: With magnet

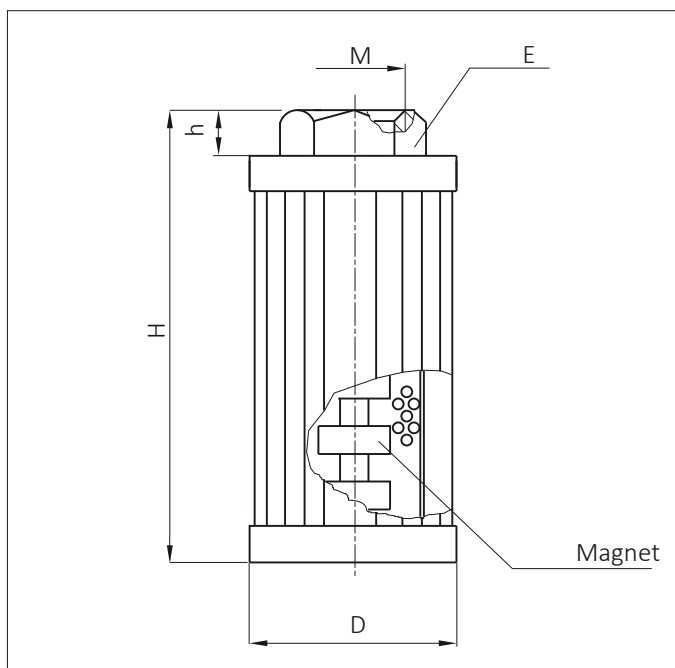
Unsure? Contact us.

Technical data



Technical specification subject to change without prior notice. Other specification on request. 2013/07/23

MOUNTING SIZE



Model	Thread M	D	H	h	E	Filtration area cm ²				
MMFWF-3A	G 3/8	Ø50	85	10	30	282				
MMFWF-4A	G 1/2			10	30	282				
MMFWF-4B		G 3/4	Ø70	95	10	41	530			
MMFWF-6B	95			10	41	530				
MMFWF-6BL	145			10	41	832				
MMFWF-8B	G 1	Ø99	145	10	41	832				
MMFWF-10C	G 1 1/4						142	15	69	1206
MMFWF-10CL							232	15	69	2140
MMFWF-12C	G 1 1/2						142	15	69	1206
MMFWF-12CL		232	15	69	2140					
MMFWF-16C	G2	Ø130	170	20	69	2015				
MMFWF-12D	G 1 1/2									
MMFWF-16D	G2									
MMFWF-16DLF							270	20	69	3590
MMFWF-20D	G2 1/2						270	20	100	3590
MMFWF-24D	G 3						270	20	100	3590
MMFWF-24DL		330	20	100	4320					

Technical specification subject to change without prior notice. Other specification on request. 2013/07/23

Notes

Technical specification subject to change without prior notice. Other specification on request. 2013/07/23