

## MMFSP Concrete Mixer Series



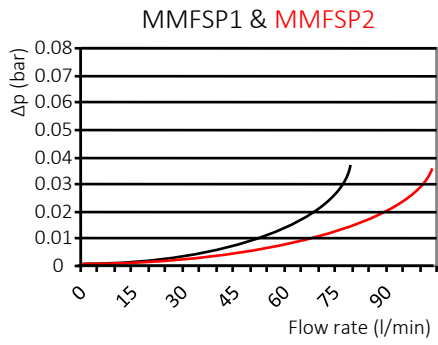
### Technical specification

Application:	Suction filter for oil coolers of concrete mixers
Port size:	G 1¼"
Flow rate:	max. 70 l/min
By-pass opening pressure:	0.3 bar
Element collapse pressure:	1 bar
Seals:	Perbunan (NBR, - 10°C to 100° C)
Material:	Polyamide cover, aluminium head & steel bowl
Compatibility:	Suitable for mineral oils, lubrication oils, non-flam fluids, synthetic and rapidly biodegradable oils according to ISO2943 (for use with water, please contact our technical dept.)
Tested according to ISO standards:	ISO2941 Collapse/burst resistance ISO2942 Fabrication integrity ISO2943 Material compatibility integrity ISO3723 Method for end load test ISO3724 Flow fatigue characteristics ISO3968 Pressure drop vs. Flow ISO16889 Multi-pass (filtration performance)

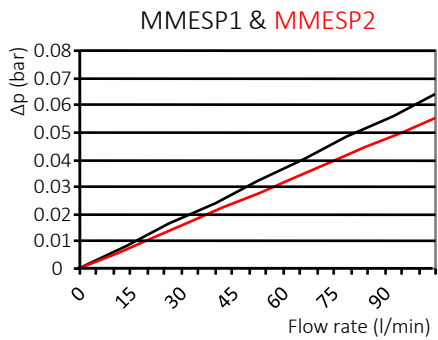
Technical specification subject to change without prior notice. Other specification on request. 2013/07/23

Pressure drop graphs ( $\Delta p$ )

Pressure drop of filter housing (mainly depending on port size)

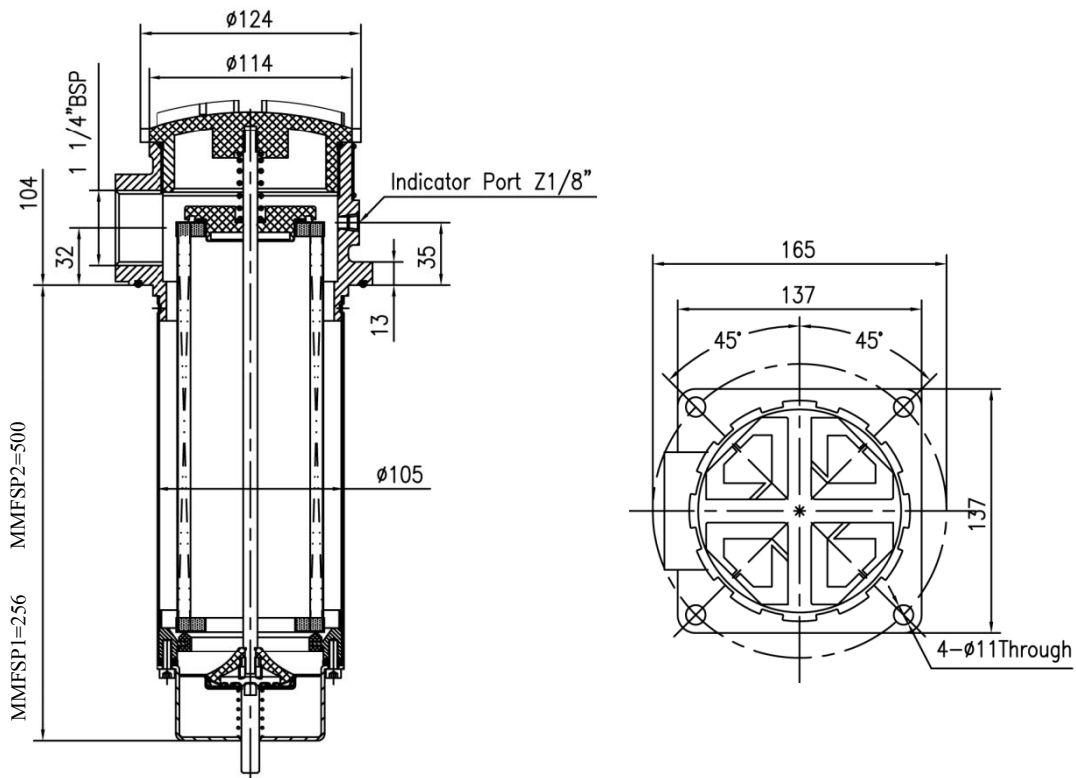


Pressure drop of clean filter elements (10  $\mu\text{m}$  filter media)



The test fluid has a density of 0.86 kg/dm<sup>3</sup> and a kinematic viscosity of 30 mm<sup>2</sup>/s.

Dimensional drawings



Technical specification subject to change without prior notice. Other specification on request. 2013/07/23

## Order information

Filter assembly part number

	Housing				Element	Accessories	
	Type	Size	Connection	Seal	Media	Gauge	Special
		MMFSP	Table 1	Table 2	Table 3	Table 4	Table 5
Example	MMFSP	1	BE	B	P10	VA	X

Element part number

	Element		
	Type	Size	Media
		MMESP	Table 1
Example	MMESP	1	P10

Tables

Table 1	
Size	Flow rate (l/min)
MMFSP1	45
MMFSP2	70

Table 4			
Media	Material	Filtration	Collapse
P10	Cellulose	10 µm	1 bar
F20	Fibreglass	20 µm	1 bar

Table 2	
Connection	Size
BE	
G 1¼"	
•	MMFSP1
•	MMFSP2

Table 5		
Gauge	Pressure	Type
VA	-1 – 0 bar	40 mm, steel, axial
VR	-1 – 0 bar	40 mm, steel, radial

Table 3	
Seal	Material
B	Buna
V	Viton

Technical specification subject to change without prior notice. Other specification on request. 2013/07/23

Notes

---

---

---

---

---

---

---

---

---

---

---

---

---

---

---

---

---

---

---

---

---

---

---

---

---

---

---

---

---

Technical specification subject to change without prior notice. Other specification on request. 2013/07/23