

MMTRF Suction and Return Filter



Technical specification

Application:	Suction and return filter
Port size:	G1 and G1 1/4
Flow rate:	max. 300 l/min
Working pressure:	max. 10 bar
By-pass opening pressure:	Δp 3.5 bar \pm 10%
Material:	Aluminium
Compatibility:	Water-glycol & hydraulic oil

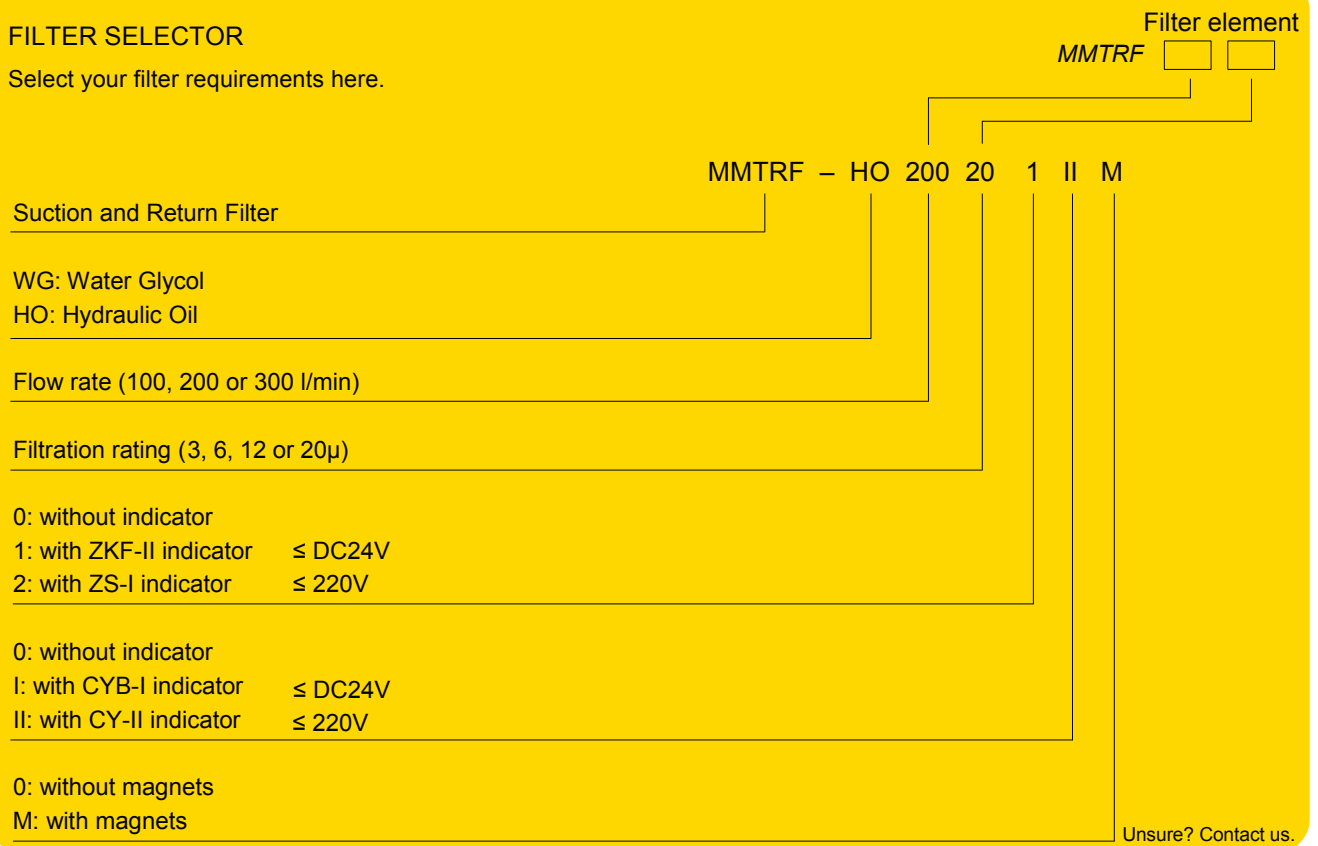
Tested according to ISO standards:

ISO2941 Collapse/burst resistance
 ISO2942 Fabrication integrity
 ISO2943 Material compatibility integrity ISO3723
 Method for end load test
 ISO3724 Flow fatigue characteristics
 ISO3968 Pressure drop vs. Flow
 ISO16889 Multi-pass (filtration performance)

Technical specification subject to change without prior notice. Other specification on request. 2013/07/23

FILTER SELECTOR

Select your filter requirements here.

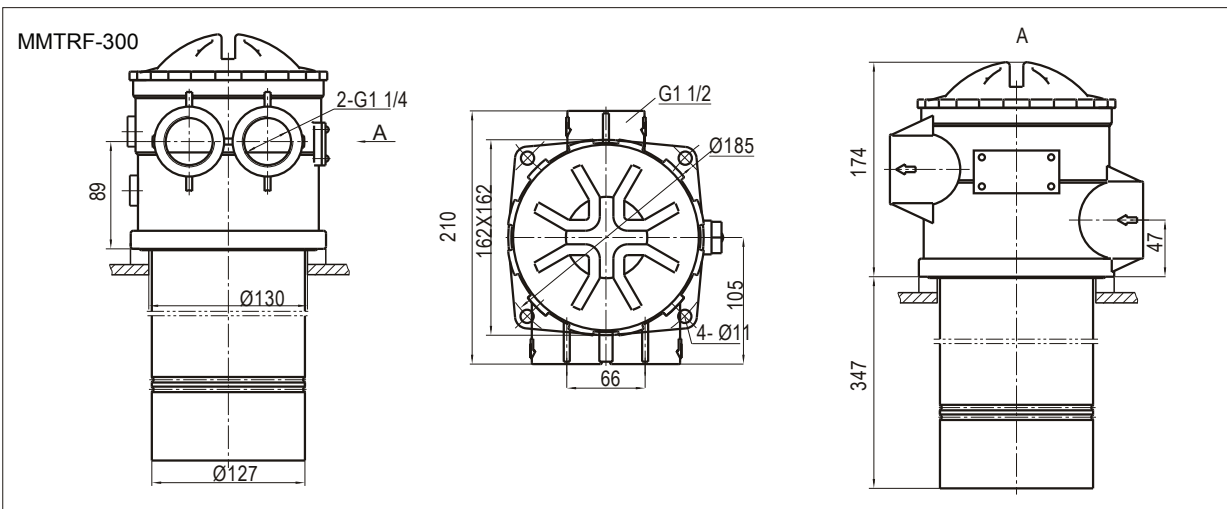
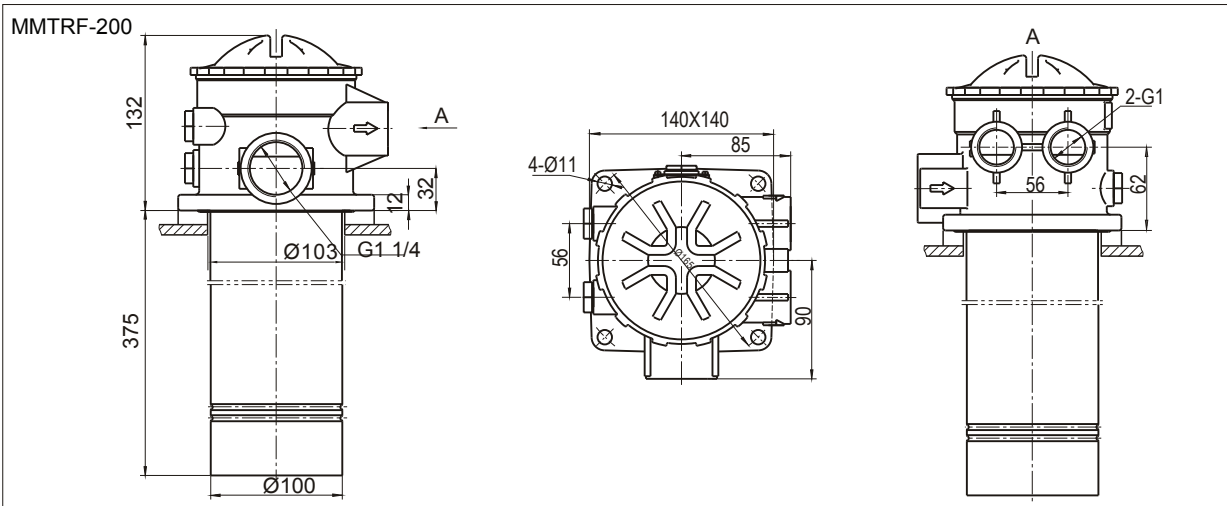
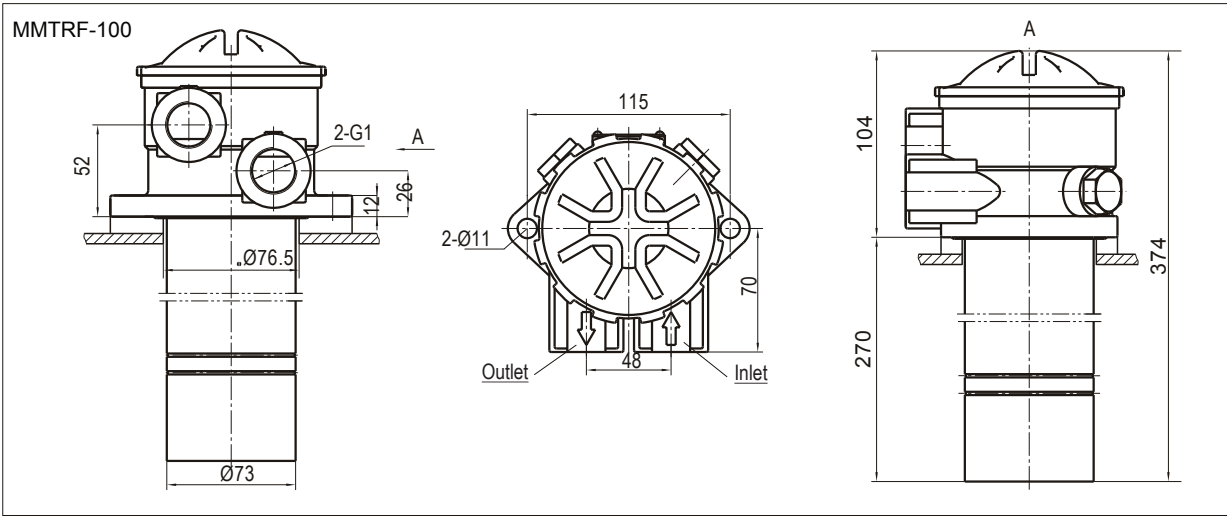


Technical data

Model	Flow rate (l/min)	Pressure options (Bar)	Filtration rating (µ m)	Indicator power		By-pass valve setting (Bar)	Safety valve setting (Bar)	Max. retrieve flow rate (l/min)	Element No:
				Volts	Amps				
MMTRF-	100	10	3	12	2.5	3.5	0.5	6	MMTRF100-X* µ
	200		6	24	2			10	MMTRF200-X* µ
	300		12	36	1.5			16	MMTRF300-X* µ
			20	220	0.25				

* X= micron

Dimensional drawings



Technical specification subject to change without prior notice. Other specification on request. 2013/07/23

